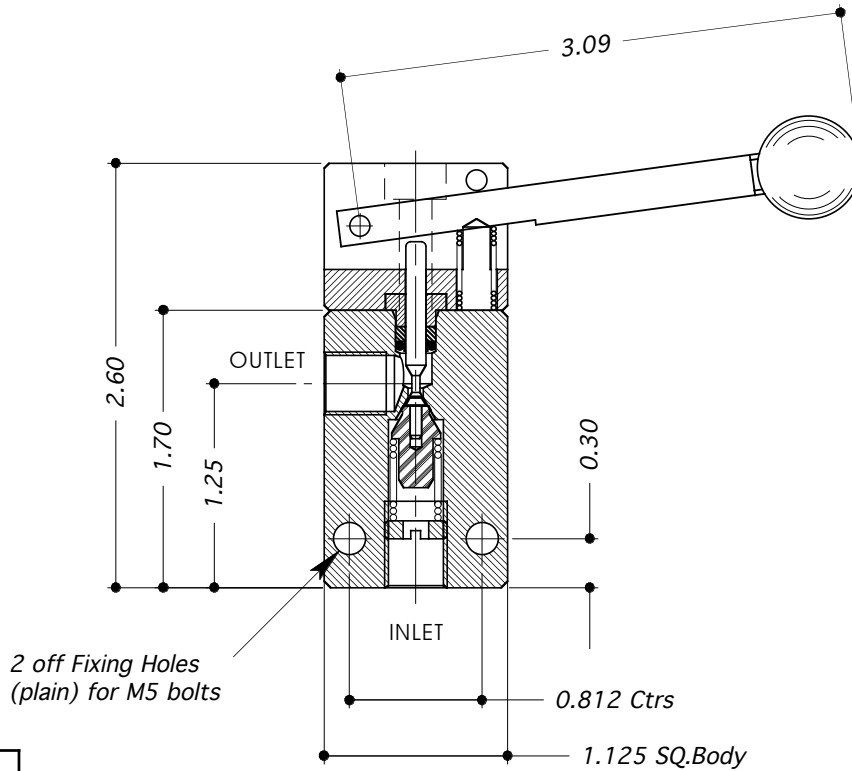


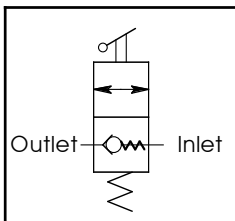
# MIDGET LEVER OPERATED CHECK VALVE TYPE: SVT12



- VALVE BODY - STAINLESS STEEL (316 / 1.4404)
- LEVER ACTUATOR BODY - STAINLESS STEEL (316 / 1.4404)
- SUITABLE FOR LIQUID OR GAS USE.
- ALL DIMENSIONS IN INCHES.



Circuit Symbol



TECHNICAL SPECIFICATION		ORDERING EXAMPLE
Valve Type:	SVT12	SVT12
Porting / Connection Options:	P = BSP (Parallel)	P
Max. Working Press: Liquid/Gas	2,000 psi	2K
Port Size: (Valve Body)	1/8"	
Valve Seat Mat'l: Liquid/Gas	Stainless Steel - 431/1.4057	
Seal Material:	Viton (other materials available by request)	
CV Value:	0.15	
Dry Weight: (kg)	1.2	
Working Temperature Range:	-10°C to +120°C	